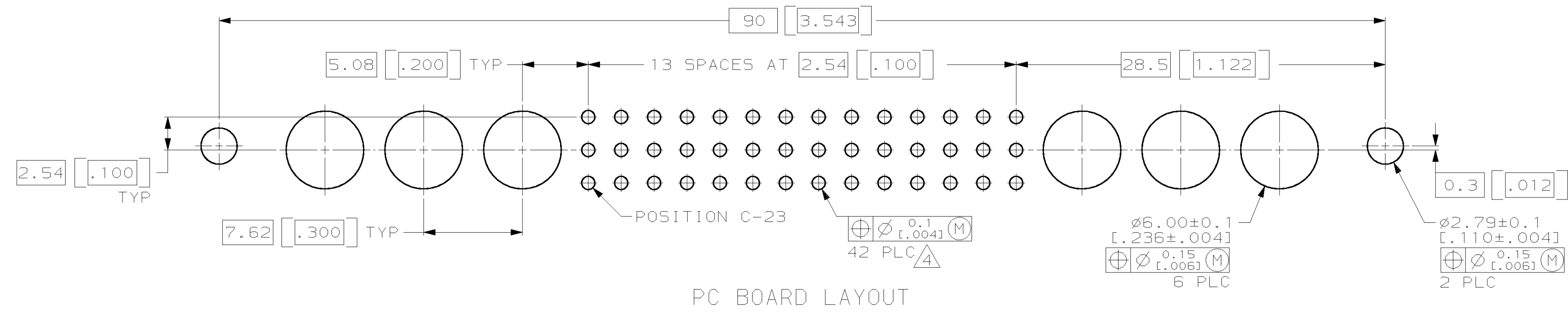
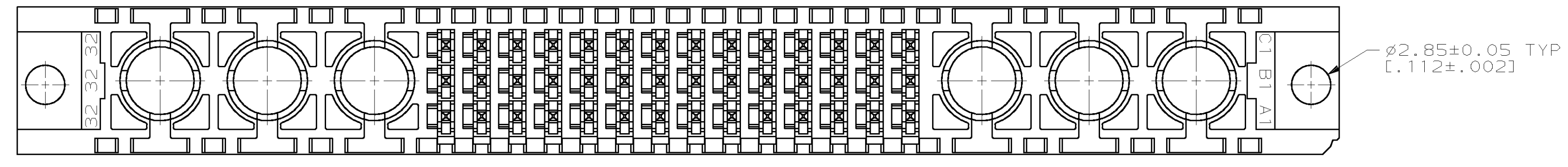
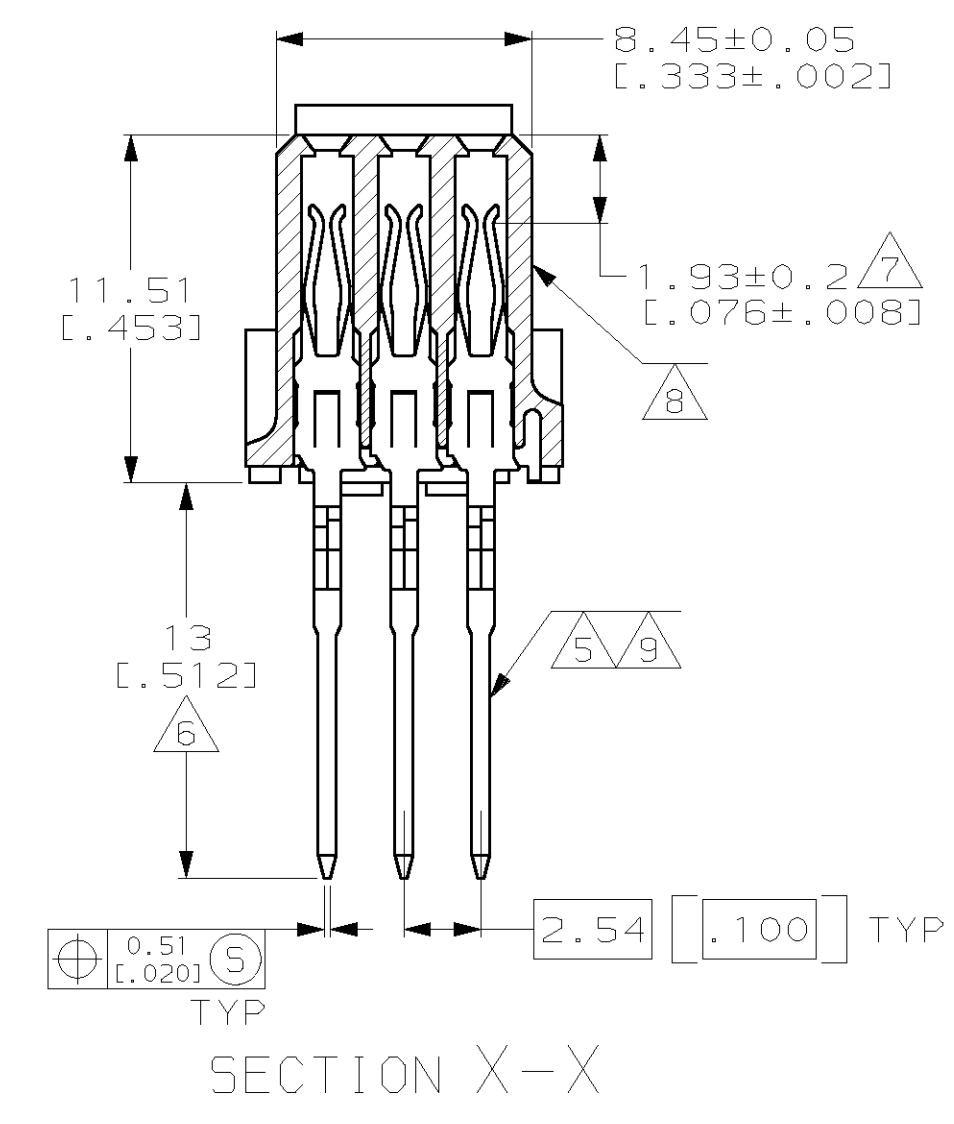
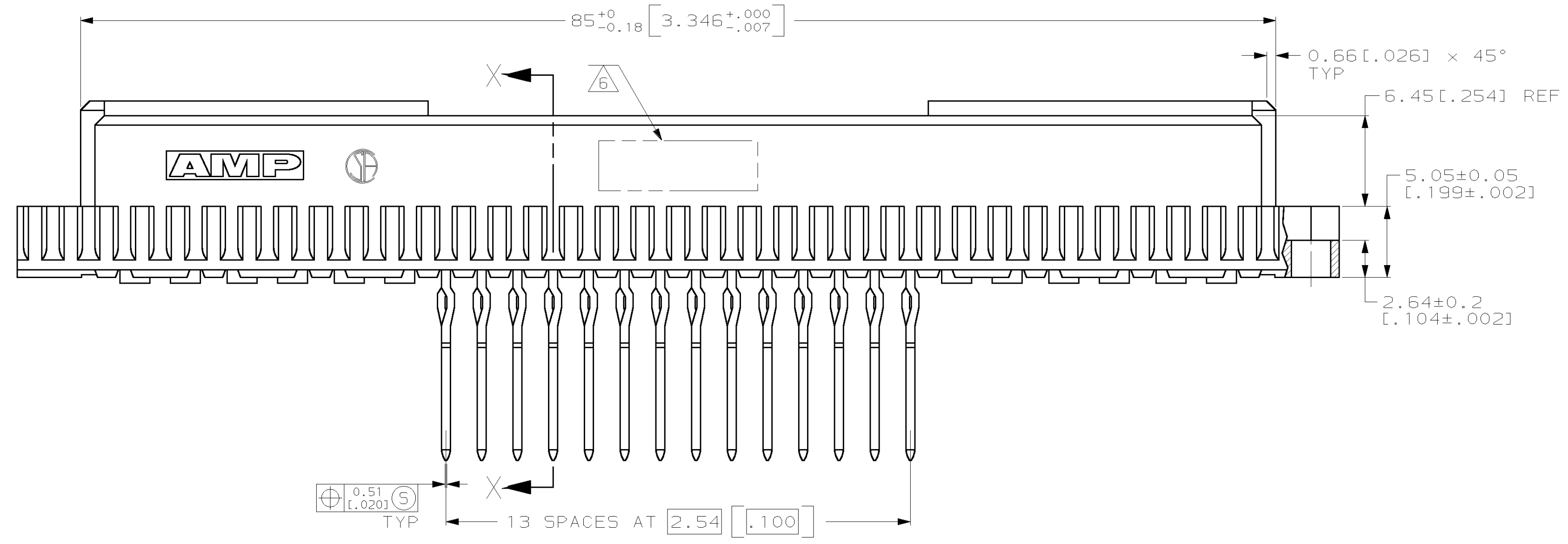
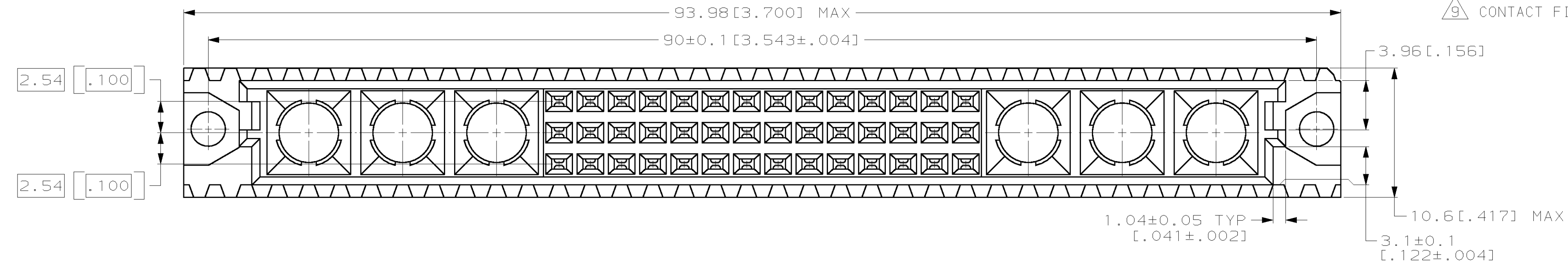


REVISONS		DATE	OWN	APPROV
AD	25			
0	DRAWN	-	-	-
A	REV PER EC 0621-80-99	05 APR 99	BC	CR

- 1 HOUSING MATERIAL: GLASS-FILLED POLYESTER. COLOR: GRAY.
- 2 CONTACT MATERIAL: PHOSPHOR BRONZE.
- 3 PART NUMBER AND DATE CODE HOT STAMPED IN THIS APPROXIMATE AREA.
- 4 ACTION PIN POSTS REQUIRE 1.57 [.062] MINIMUM THICK PC BOARD. RECOMMENDED PC BOARD DRILLED HOLES ARE $\phi 1.151 \pm 0.025$ [.0453 \pm .0010] WITH 0.02-0.08 [.001-.003] COPPER AND 0.008 [.0003] MINIMUM TIN-LEAD PLATING. FINISHED HOLES AFTER PLATING $\phi 1.02 \pm 0.08$ [.040 \pm .002].
- 5 CONTACT FINISH: DIN 41612 CLASS 2 IN CONTACT AREA. TIN-LEAD PLATE ON POSTS.
- 6 TAIL LENGTH AFTER SEATED IN PC BOARD.
- 7 CONTACT POINT AFTER SEATED IN PC BOARD.
- 8 HOT STAMPING ON THIS SIDE.
- 9 CONTACT FINISH: DIN 41612 CLASS 2 IN CONTACT AREA AND LAST 5.08 [.200] OF POST.



1-148424-5
148424-5
PART NUMBER

THIS DRAWING IS A CONTROLLED DOCUMENT.		DWN: L. BRINER 10/1/97	AMP Incorporated Harrisburg, PA 17105-3608	
DIMENSIONS: mm		CHK: R. PATTERSON 10/1/97	NAME: RECEPTACLE ASSEMBLY, EUROCARD, TYPE M, 42 + 6 POSITION	
TOLERANCES UNLESS OTHERWISE SPECIFIED:		APPROV: R. PATTERSON 10/1/97	SIZE: A1	
0 PLC \pm	1 PLC \pm	PRODUCT SPEC: -	CAGE CODE: 148424	
2 PLC ± 0.13 (.005)	3 PLC \pm	APPLICATION SPEC: -	DRAWING NO: 148424	
4 PLC \pm	5 PLC \pm	WEIGHT: -	SHEET 1 OF 1	
ANGLES \pm	FINISH: -	CUSTOMER DRAWING	SCALE: 4:1	
HOUSING: Δ	POST: Δ	REV: A		